

# 1-115 Handle for Quarter-Turn

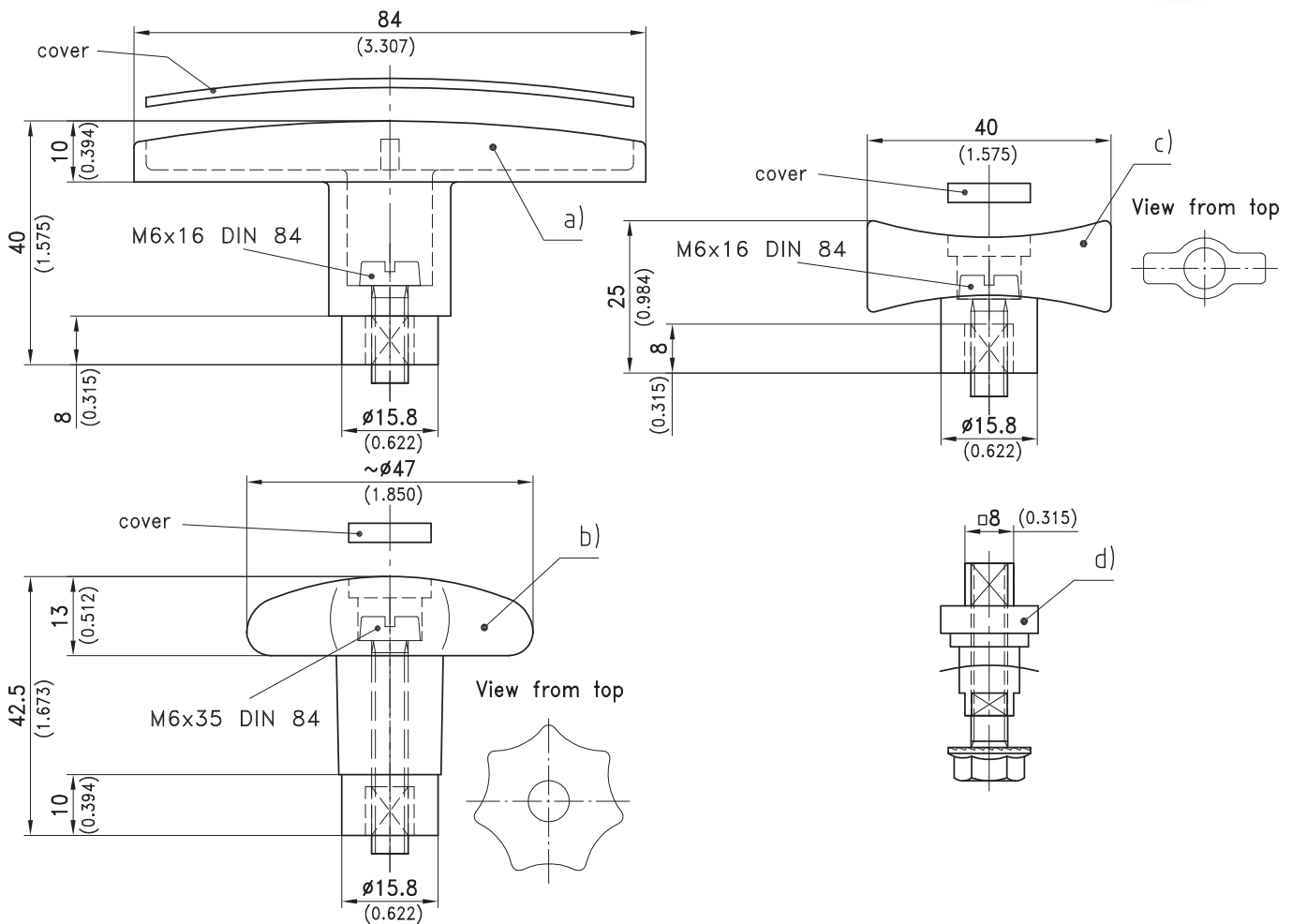
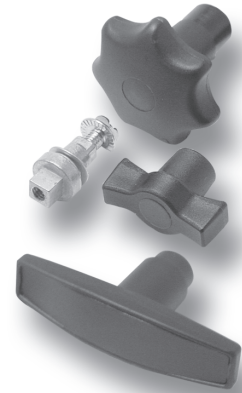
Handle and knob accessory



Handles and knobs for Quarter-Turns can be attached after delivery for easier transport and packaging  
All screws are included

**Material:**

- **Handle and knob:** PA, Black
- **Basic insert:** Zinc Die, Zinc Plated



	Part No.
a) T-handle with cover and screw	200-9134
b) Star knob with cover and screw	200-9135
c) Wing knob with cover and screw	200-9136
d) Please order separately: Basic insert with internal M6 thread at both ends	200-9137